

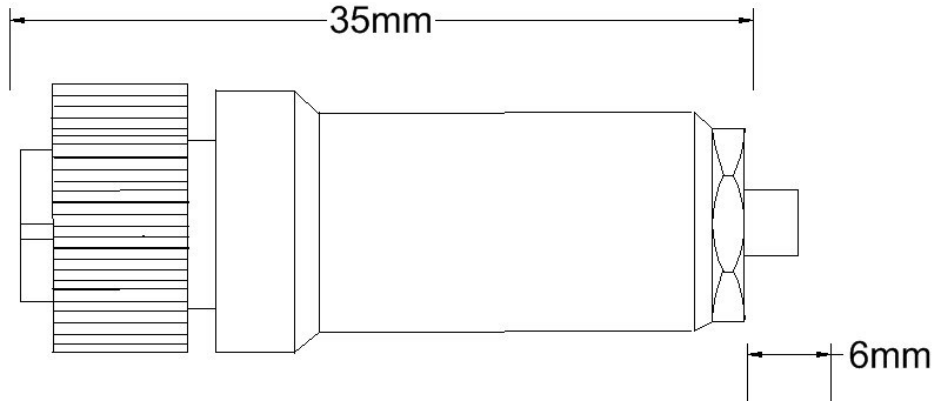


HASTINGS DATA LOGGERS

Australia's portable data logging specialists

Fast response thermistor probe PB-4500

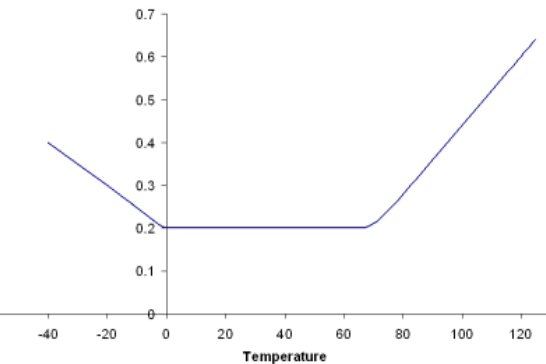
Issue 1 : 23rd September 2011 (E&OE)



Sensor Specification

Measuring Range -40°C to +125°C (-40°F to +257°F)
Sensor Type 10K NTC Thermistor

Sensor Accuracy



Physical Specification

IP Rating IP68 (waterproof)
Weight 14g / 0.49oz
Response time
Water 10 seconds (to 90% FSD)
Probe
Material Stainless steel
Temperature rating -40° to +125°C (-40°F to +257°F)
Connector
Material Nickel plated Brass/Zinc alloy
Temperature rating -25° to +85°C (-13° to +185°F)

Related Products

This probe is suitable for use with the following products:

Tinytag Ultra 2 model numbers:

TGU-4020, TGU-4510

Tinytag Plus 2 model numbers:

TGP-4020, TGP-4510, TGP-4520

Tinytag View 2 model numbers:

TV-4020, TV-4510

Approvals

This probe is manufactured by Hastings Data Loggers who use parts from companies who operate a Quality Management system which conforms to ISO 9001.

data sheet